

VD	VB	B	m
			2G
720	750	1700	1000
920	950	2100	750
1120	1150	2500	500

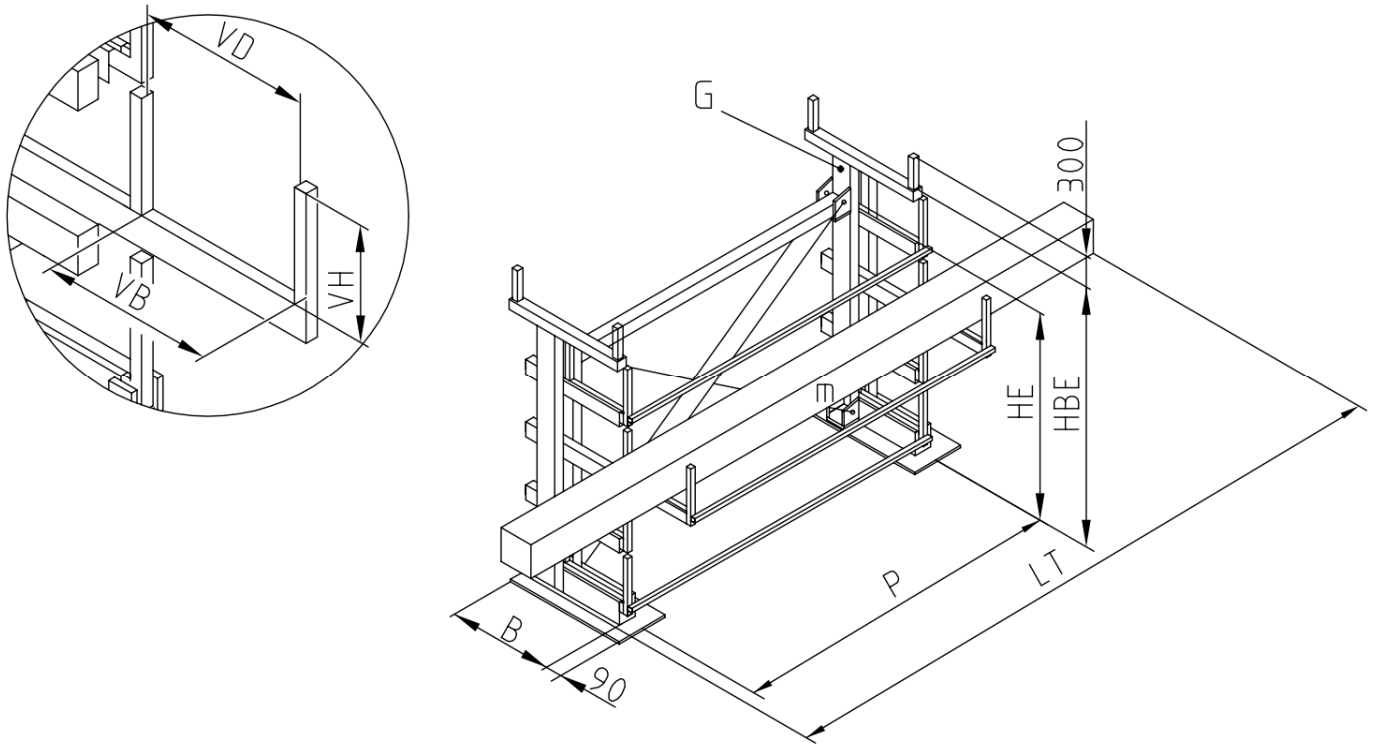
VH	E	HE	HBE
200	2x3+1	938	1229
	2x4+1	1297	1588
	2x5+1	1656	1947
	2x6+1	2015	2306
300	2x3+1	1138	1529
	2x4+1	1597	1988
	2x5+1	2056	2447
400	2x3+1	1338	1829
	2x4+1	1897	2388
500	2x3+1	1538	2129
	2x4+1	2197	2788

ML	Grids		
	G	P	LT
1000	2	700	1000
2000	2	1140	2000
3000	2	1640	3000
4000	2	2200	4000
5000	2	2760	5000
6000	2	3350	6000

TYPE DESCRIPTION, TYPE AANDUIDING, TYPBEZEICHNUNG, TYPE INDICATION

MULTI - 4E - 2G - 92x20 ML=6000mm

Alterations reserved/m = kg/<-mm->/MULTI-001



VD	VB	B	m
			2G
720	750	1225	1000
920	950	1425	750
1120	1150	1625	500

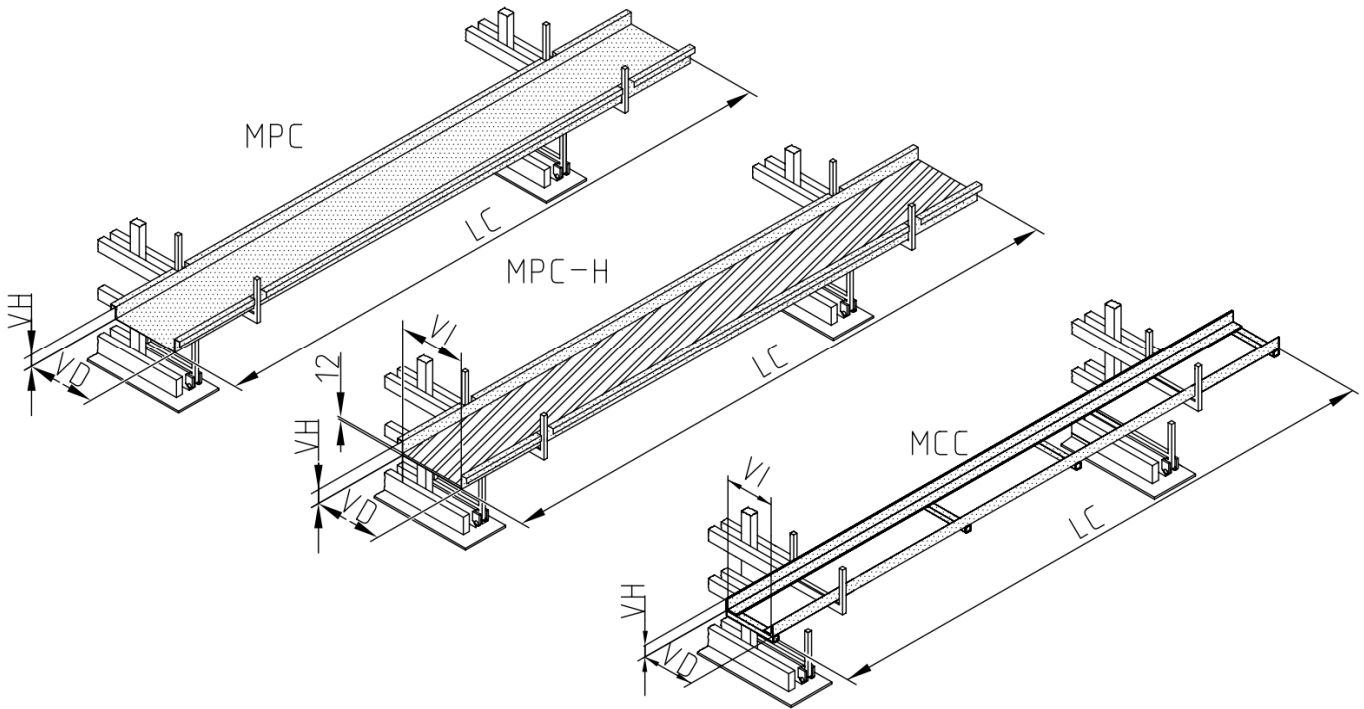
VH	E	HE	HBE
200	1x3+1	938	1229
	1x4+1	1297	1588
	1x5+1	1656	1947
	1x6+1	2015	2306
300	1x3+1	1138	1529
	1x4+1	1597	1988
	1x5+1	2056	2447
400	1x3+1	1338	1829
	1x4+1	1897	2388
500	1x3+1	1538	2129
	1x4+1	2197	2788

ML	Grids	P	LT
	G		
1000	2	700	1000
	2		
2000	2	1140	2000
	2		
3000	2	1640	3000
	2		
4000	2	2200	4000
	2		
5000	2	2760	5000
	2		
6000	2	3350	6000

TYPE DESCRIPTION, TYPE AANDUIDING, TYPBEZEICHNUNG, TYPE INDICATION

MINI-MULTI - 4E - 2G - 92x20 ML=6000mm

Alterations reserved/m = kg/<-mm->/MINI-MULTI-001



- MPC** PLATE STEEL CASSETTE, PLAATSTALEN CASSETTE, BLECHWANNE CASSETTE, CASIEER EN TOLE D'ACIER
H WITH WOOD, BEKLEDING HOUT, VERKLEIDUNG HOLZ, AVEC BOIS
MCC PROFILE CASSETTE, PROFIEL CASSETTE, PROFIL CASSETTE, CASIERS EN PROFILES

	VH
MPC	100
MCC	80

ML	LC
3000	2900
6000	5900

VD	VI
720	700
920	900
1120	1100

TYPE DESCRIPTION, TYPE AANDUIDING, TYPBEZEICHNUNG, TYPE INDICATION

[MCC - 290 - 72x8](#)

Alterations reserved/m = kg/<-mm->/MULTI-001